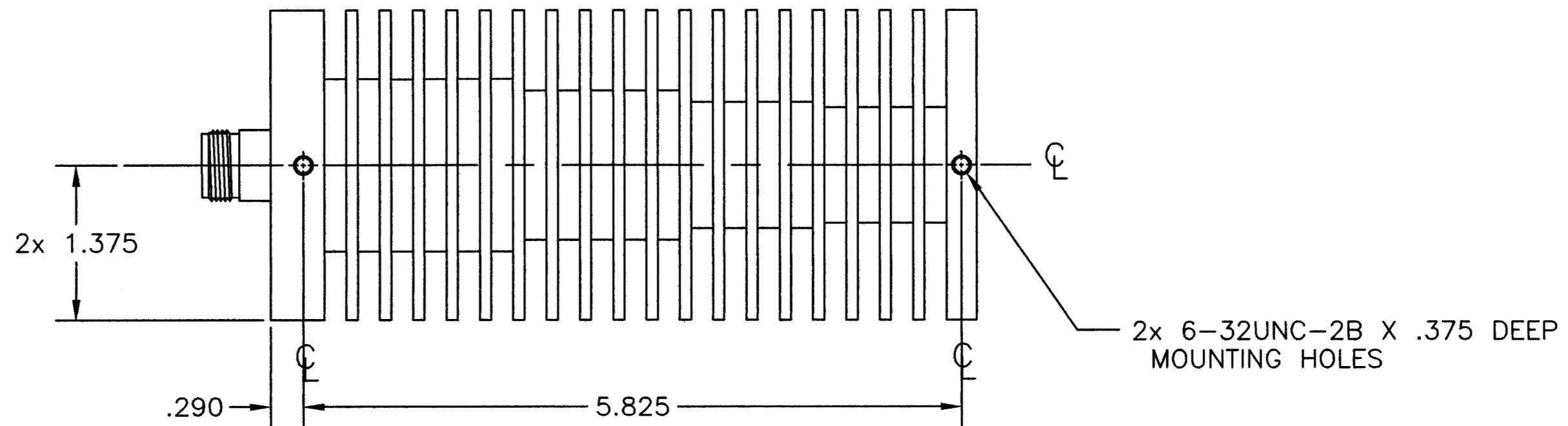
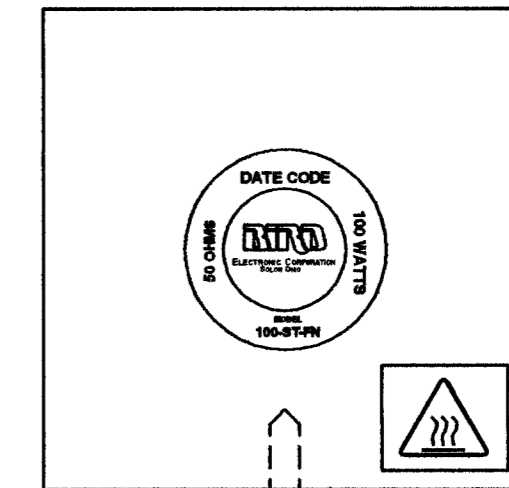
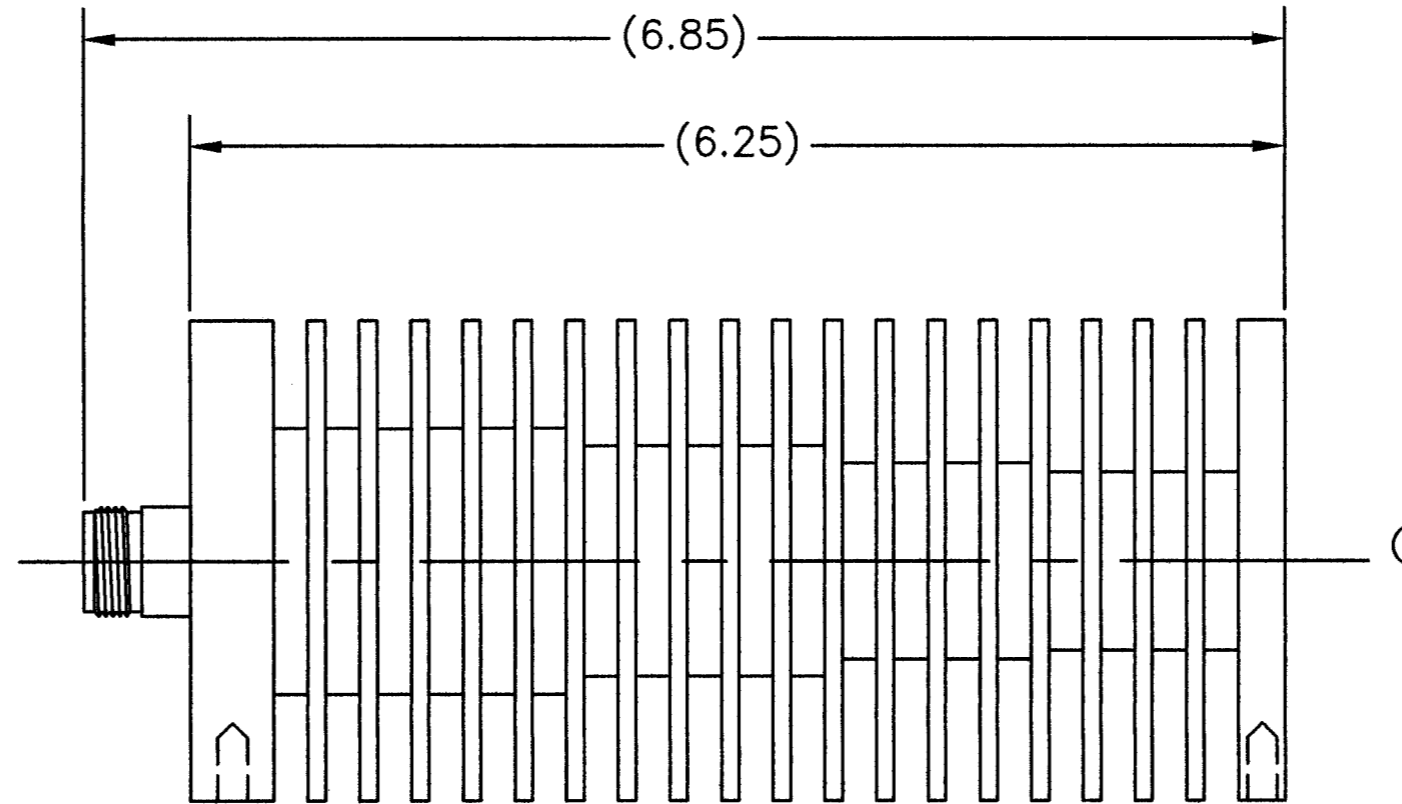
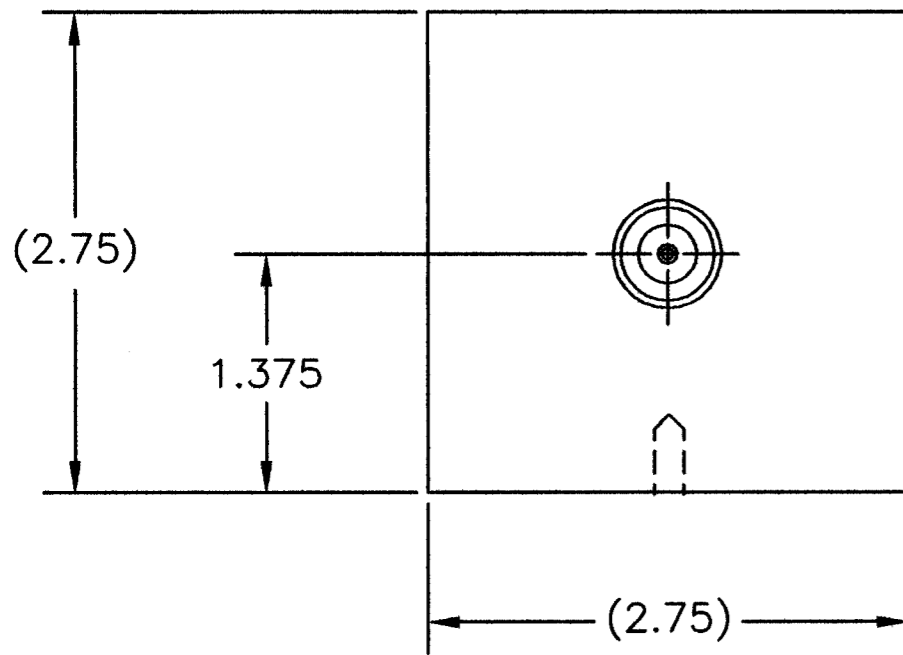


IMPEDANCE: 50 OHMS NOMINAL  
 FREQUENCY RANGE: DC TO 4 GHz  
 VSWR: DC TO 1GHz AT 1.10:1 MAX.  
 1GHz TO 4 GHz AT 1.25:1 MAX.  
 POWER RATING: 100 WATTS MAX. @ 40°C.  
 125 WATTS MAX. @ 25°C.  
 COOLING FIN: ALUMINUM, BLACK ANODIZED  
 HEAT SPREADER: ALUMINUM, TRI-ALLOY PLATED  
 CONNECTOR: N-TYPE FEMALE, TRI-ALLOY PLATED  
 OPERATING POSITION: ANY  
 NOMINAL SIZE: APPROX. 6.850" L. X 2.750" SQ.  
 WEIGHT: 42 OZ. MAX.

REVISIONS		DWG. NO.	100-ST-FN	SHEET	REV
ZONE	REV	DESCRIPTION	DATE	APPROVED	
	A	ECN #0210	11-5-98	<i>mau</i>	



- NOTES:
- ☒ 1. PART MUST BE BURR FREE.
  - ☒ 2. CHAMFER 1st THREAD.
  - ☒ 3. 63 MICROINCH UNLESS OTHERWISE SPECIFIED.
  - ☐ 4. PER BPS \_\_\_\_\_.
  - ☒ 5. .005 RADIUS ON ALL INSIDE & OUTSIDE CORNERS UNLESS OTHERWISE SPECIFIED.

DIMENSIONS HEREON ARE FOR CUSTOMER  
 CONVENIENCE AND REFERENCE ONLY.  
 TOLERANCE TO BE APPLIED ONLY WHERE  
 INDIVIDUALLY STATED ON THE RESPECTIVE  
 DIMENSION. -DO NOT SCALE DRAWING-

UNLESS OTHERWISE SPECIFIED DIMENSIONS ARE IN INCHES TOLERANCES ARE:		MILLIMETERS		THIS DRAWING IS THE PROPERTY OF THE BIRD ELECTRONIC CORPORATION. THE DESIGNS AND SPECIFICATIONS DISCLOSED HEREON ARE PROPRIETARY AND SHALL NOT BE REPRODUCED, NOR COPIED, NOR USED AS THE BASIS FOR THE MANUFACTURE OR SALE OF APPARATUS OR DEVICES WITHOUT THEIR EXPRESS WRITTEN CONSENT.	BIRD Electronic Corporation Cleveland (Solon) Ohio USA	
FRACTIONS	DECIMALS	ANGLES	XX= ±.010		XXX= ±.005	± 30'
± 1/64	± .005	± 30'	XX= ±.012	XXX= ±.005	± 30'	
DO NOT SCALE DRAWING				APPROVALS		DATE
MATERIAL				DRAWN		DATE
				D.M.RINK		11-8-02
FINISH				CHECKED		
				APPROVED		DATE
				<i>mau</i>		1-13-03
				AUTOCAD		
TITLE		SIZE	FSCM NO.	DWG. NO.	REV	
TERMINATION, CONVECTION COOLED AXIAL, N-TYPE FEMALE, 100W		C	70998	100-ST-FN	A	
SCALE	1:1	COMM CODE	LD1	SHEET	1 OF 1	